

Deck insert installation instructions

Deck inserts designed for wooden decks will allow for clean and sturdy installation of your new volleyball system.


TOOLS NEEDED

 Philips Screw Driver

 Power Drill

 Pencil

 2" Hole Saw

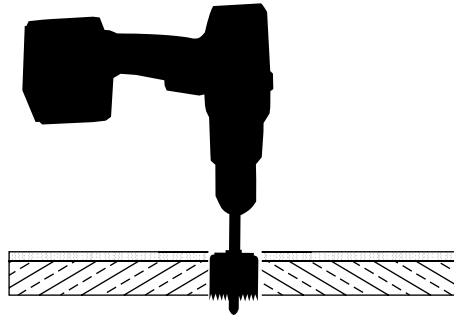
 1/8" Drill Bit

INCLUDED

 6 Stainless Steel Wood Screws

Thank you for your purchase. We hope it provides you many seasons of enjoyment.

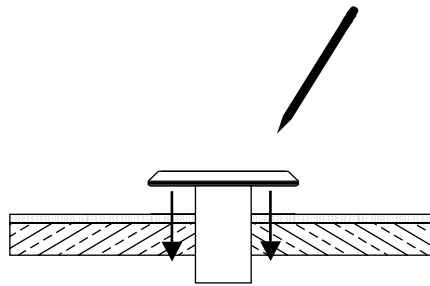
A



Select the area that you would like to have your inserts installed on your decking. Try to allow proper net proportions for your pool

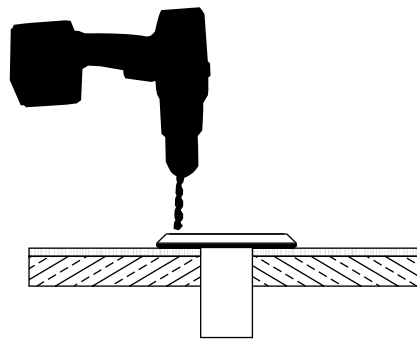
Using the 2" hole saw, drill a hole through the decking. Make the hole placement in an area that will allow the six (6) wood screws to find a secure hold.

B



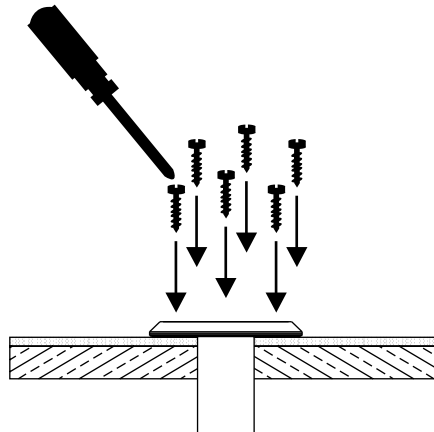
Slide the sleeve of the deck insert into the hole. Make a mark in the center of each of the six (6) holes which will determine the screw placement.

C



Using the 1/8" drill bit, drill a pilot hole on each of your marks

D



Using a Philips screw driver and the stainless steel screws provided. Tighten a screw into each hole. Do not over tighten!