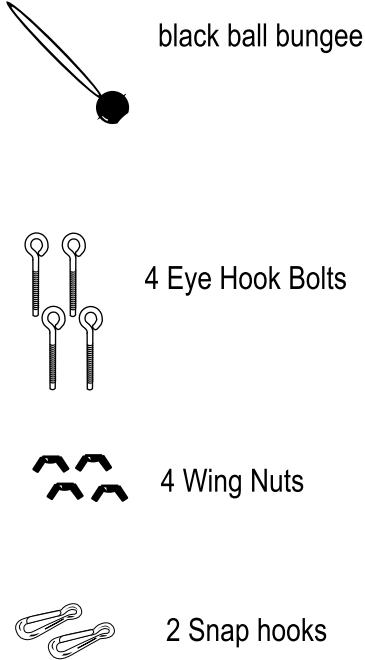
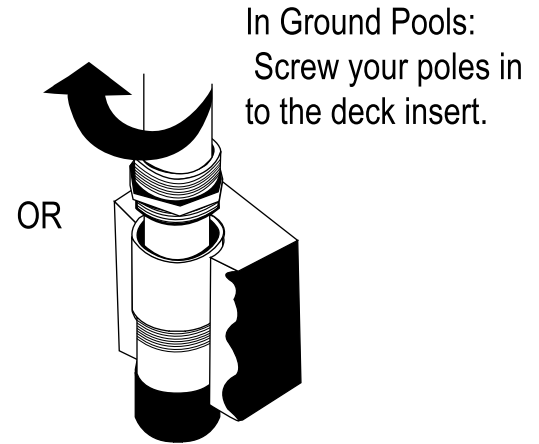
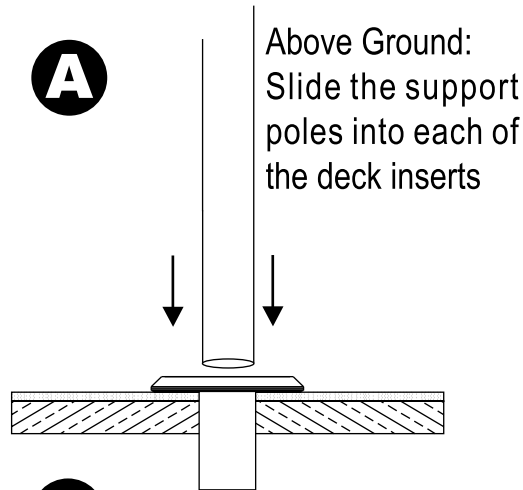


# Volleyball Net installation instructions

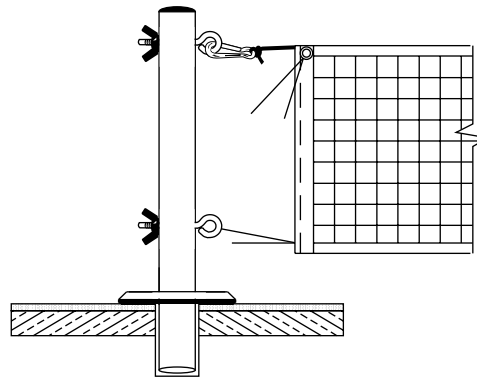
## INCLUDED



**A**

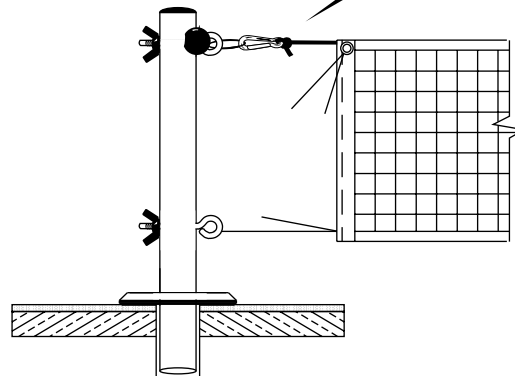


**B**



Tie the supplied snap hook onto one end of the net. Snap onto the top eyehook. Before tying the snap hook to the opposite side of the net, see "C"

**C**



Slide the end of the rope into the loop of the black ball bungee. Slowly tighten the net using the support of the ball bungee. Once you have found your proper tension make your mark and tie off the net to the snap hook. This will allow proper tension for your net.

## Proper Care:

-Do not store with pool chemicals.

-Clean poles to avoid chemical staining.

**Thank you for your purchase. We hope it provides you many seasons of enjoyment.**